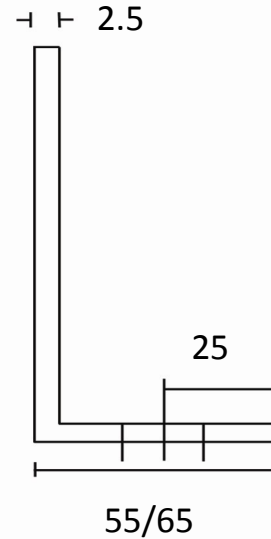
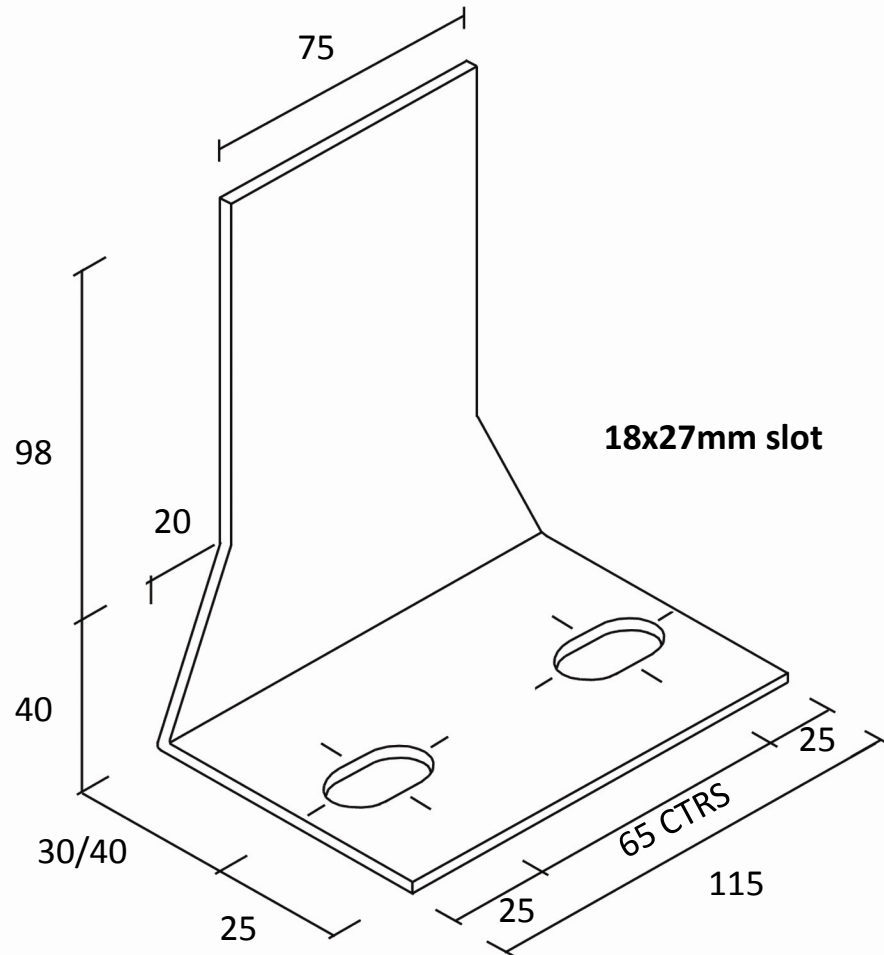




Standard Order Sheet 65mm Centres SWC Cleats



188 x 115 x 3.0
198 x 115 x 3.0

Cleats
SWC 65 / 30
SWC 65 / 40

Order : _____
 Customer : _____
 Quantity : _____
 Pages : _____
 Delivery : _____

Company

Company Order No.

Drawn by

Date

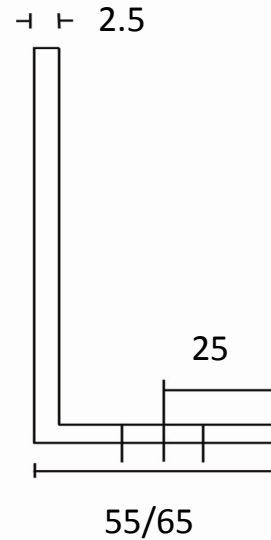
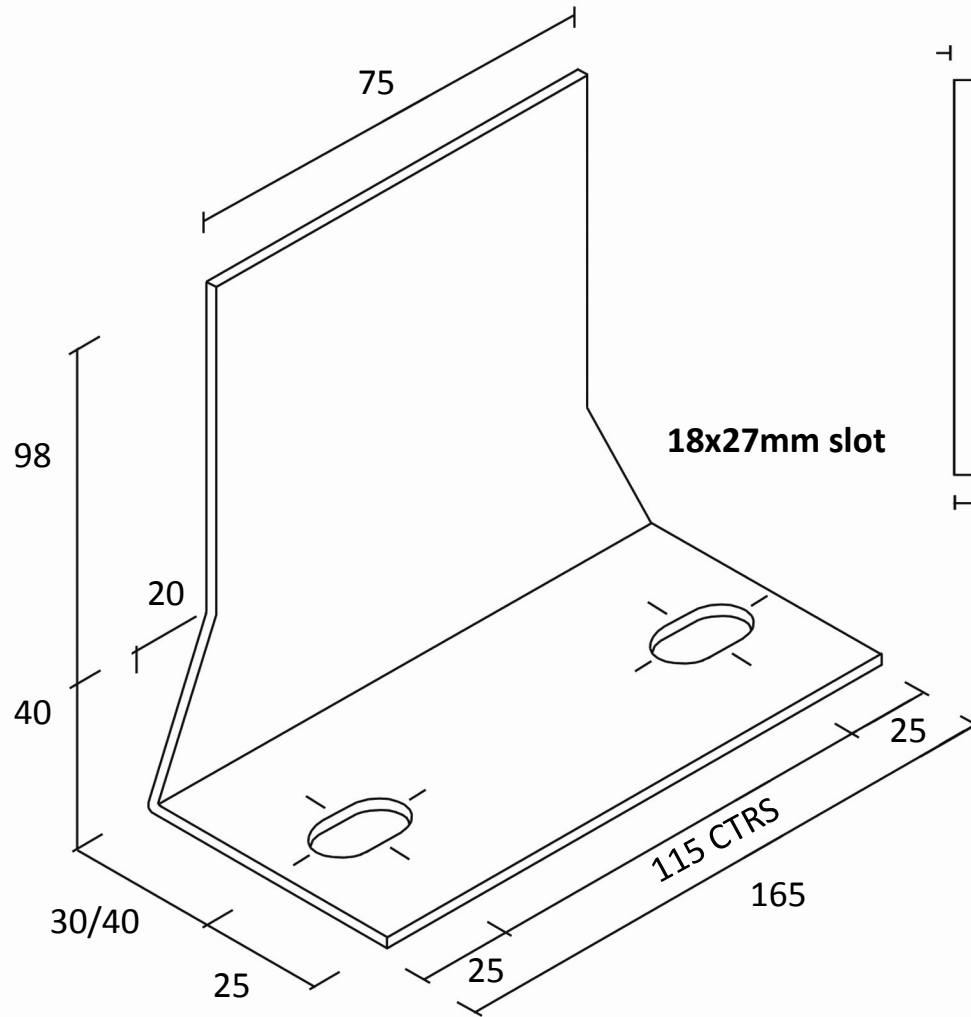
Drawing No.

Revision No.

Contract No.



Standard Order Sheet 115mm Centres SWC Cleats



188 x 165 x 3.0
198 x 165 x 3.0

Cleats

SWC 115 / 30
SWC 115 / 40

Order : _____

Customer : _____

Quantity : _____

Pages : _____

Delivery : _____

Company

Drawn by

Drawing No.

Revision No.

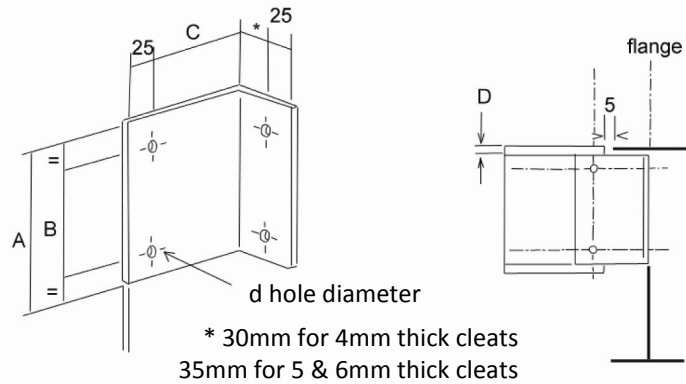
Company Order No.

Contract No.

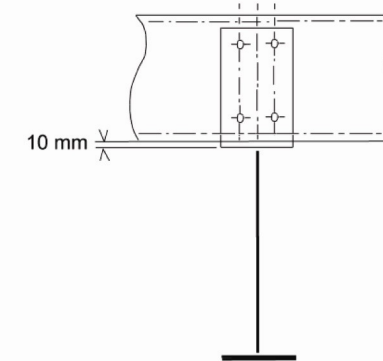
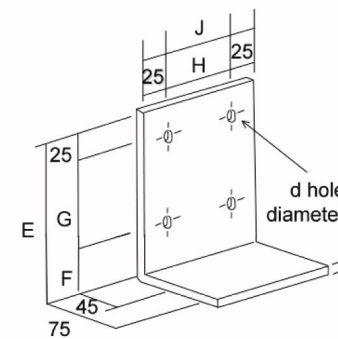
Date



Standard Order Sheet Inset Cleat Details



Section Ref	Cleat Ref	A mm	B mm	C mm	D mm	t mm	d mm
146	MC14080	105	65	80	20	4	14
	MC14100	105	65	100	20	4	14
176	MC17080	135	95	80	20	4	14
	MC17115	135	95	115	20	4	14
206	MC20080	155	115	80	22	4	14
	MC20115	155	115	115	22	4	14
	MC20130	155	115	130	22	4	14
226	MC22080	155	115	80	35	4	14
	MC22115	155	115	115	35	4	14
	MC22130	155	115	130	35	4	14
246	MC24115	190	150	115	25	5	14
	MC24130	190	150	130	25	5	14
266	MC26115	215	165	115	25	5	18
	MC26130	215	165	130	25	5	18
307	MC30115	250	200	115	25	6	18
	MC30130	250	200	130	25	6	18
341	MC34130	295	245	130	25	6	18
401	MC40130	350	300	130	25	6	18



Section Ref	Cleat Ref	E mm	F mm	G mm	H mm	J mm	t mm	d mm
146	OC146	140	50	65	56	106	6	14
176	OC176	170	50	95	56	106	6	14
206	OC206	192	52.5	115	56	106	6	14
226	OC226	205	65	115	56	106	6	14
246	OC246	230	55	150	56	106	8	14
266	OC266	250	60	165	56	106	10	18

Company

Drawn by

Drawing No.

Revision No.

Company Order No.

Contract No.

Date

